

New Maximum Series

Solid Door Freezer

Stainless Steel Interior and Front Digitally Controlled Uniform Temperature

*** Digitally Controlled Temperature**

Enables you to see temperature without opening the door. Freshness of products lasts longer by keeping the correct temperature.

*** Bottom Mounted Compressor**

All units feature a bottom-mounted compressor for energy savings, high efficiency and easy service. The bottom-mounted compressor also allows the food to be placed in an ergonomically correct location.

*** Stainless Steel**

The New Maximum Series are constructed of high quality stainless steel on the interior and front. Our stainless steel construction will ensure a bright, dent-resistant and durable finish for years to come.

*** Efficient Refrigeration System**

Turbo Air's solid freezers are designed with over-sized evaporators and condensers for faster cooling and greater efficiency.

*** High-tech Monitor**

The unit will beep to warn you if the door has been opened for more than 5 minutes. The monitor digitally displays the present temperature. You can easily adjust the temperature by pressing the up or down button.

*** Field Reversible Door (MSF-23NM)**

*** CEC. California Energy Commission Certificated**

*** MEA. City of New York Building Department Approved**



MSF-23NM



MSF-49NM



Model	Swing Door	CU./FT.	#of Shelves	HP	AMPS	Weight	L D H	List Price
MSF-23NM	1	23	3	1/3	7.0	273	26.8 x 31.1 x 77.6	4,454.00
MSF-49NM	2	49	6	1/2	10.9	405	53.9 x 31.1 x 77.6	6,576.00

* Height does not include 5" for caster height.

CABINET INTERIOR/EXTERIOR SPECIFICATIONS

ELECTRICAL DATA	MSF-23NM	MSF-49NM
Voltage	115/60-1	115/60-1
Feed Wires (With ground)	3	3
Wattage	550	900
Amperes	7A	10.9A
SHIPPING DATA		
Length-Crated (in)	28.3	52.4
Depth-Crated (in)	32.5	32.5
Height-Crated (in)	82.2	82.2
Volume Crated (cu.ft)	43.4	85.2
Net Weight (lbs)	273	405
Weight After Packing (lbs)	299	449
DIMENSIONAL DATA		
# of Doors	1	2
Cubic Feet	23	49
Rack Capacity	1	2
Length Overall (in)	26.8	53.9
Depth Overall (in)	31.1	31.1
Height Overall (in)(with caster)	82.8	82.8
Interior Dimension (LxDxH)	22.9x24.2x59.5	50x24.2x59.5
Shelf Size	22x23.1	24.3x23.1
# of Shelves	3	6

*Design and specifications can be changed without prior notice for product improvement.

* Self-diagnostic System

Shows the status of unit immediately.

* Holds 10°F ~ -10°F

* Recessed Handles

Turbo Air's recessed handle enhances our products aesthetically and functionally.

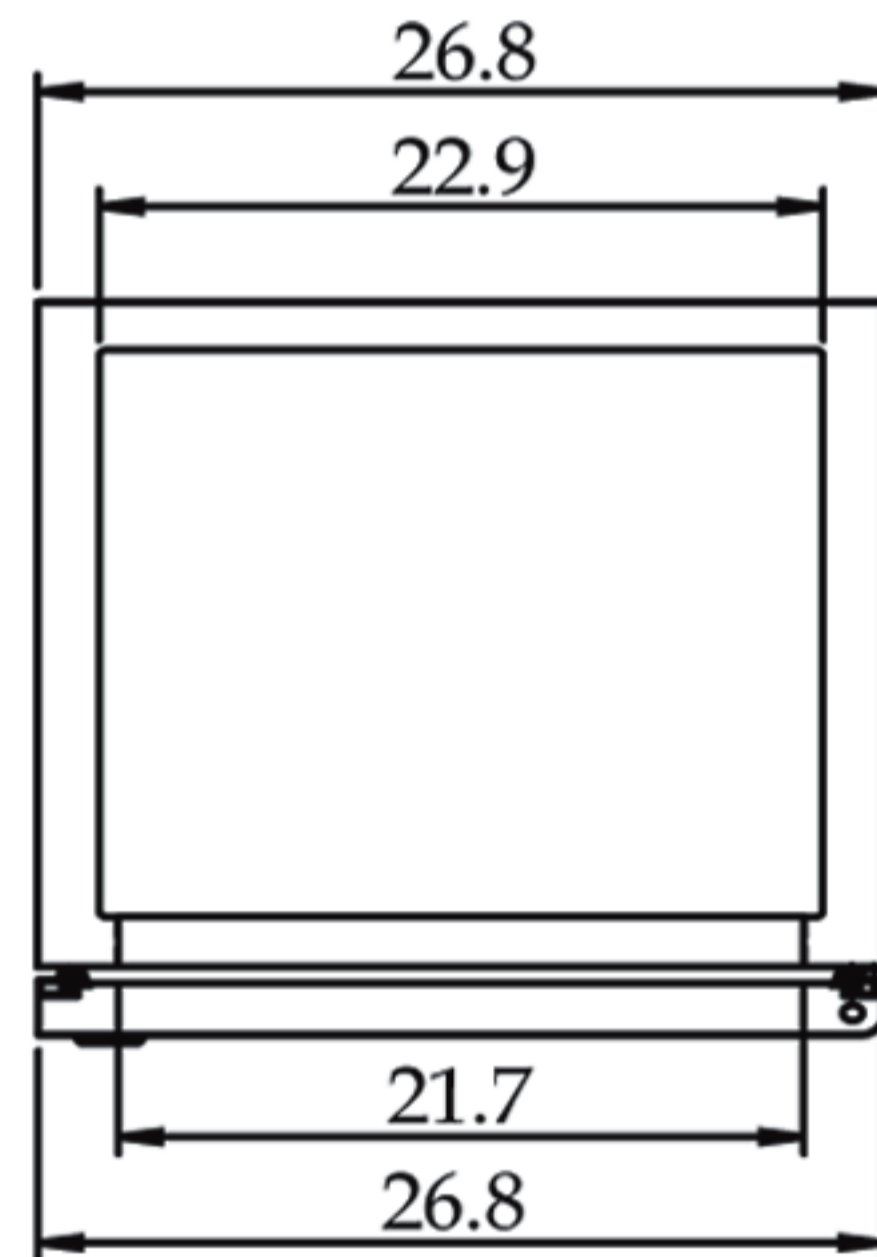
* Bun Tray Rack Available

All models are available for full door tray racks.

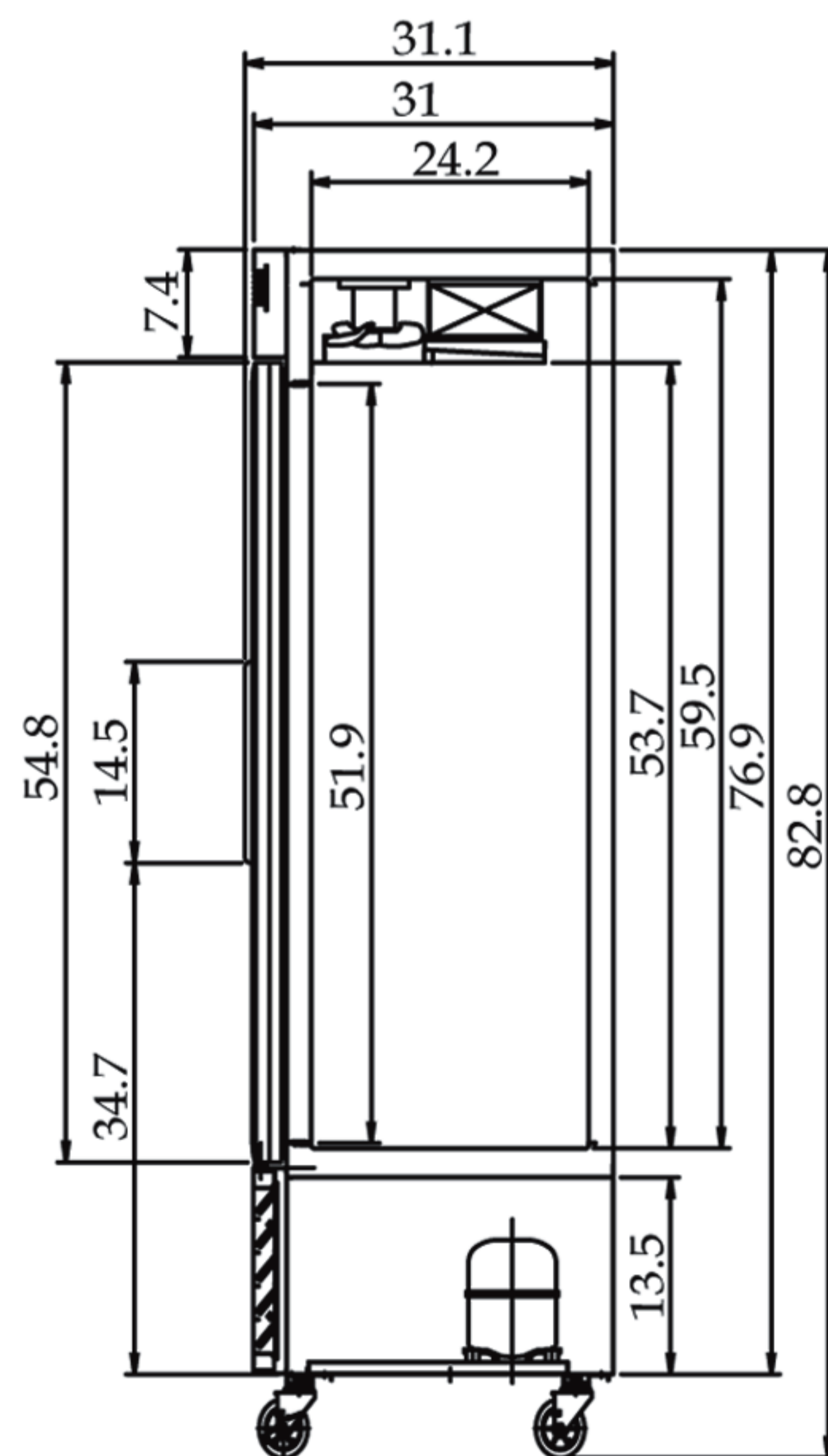
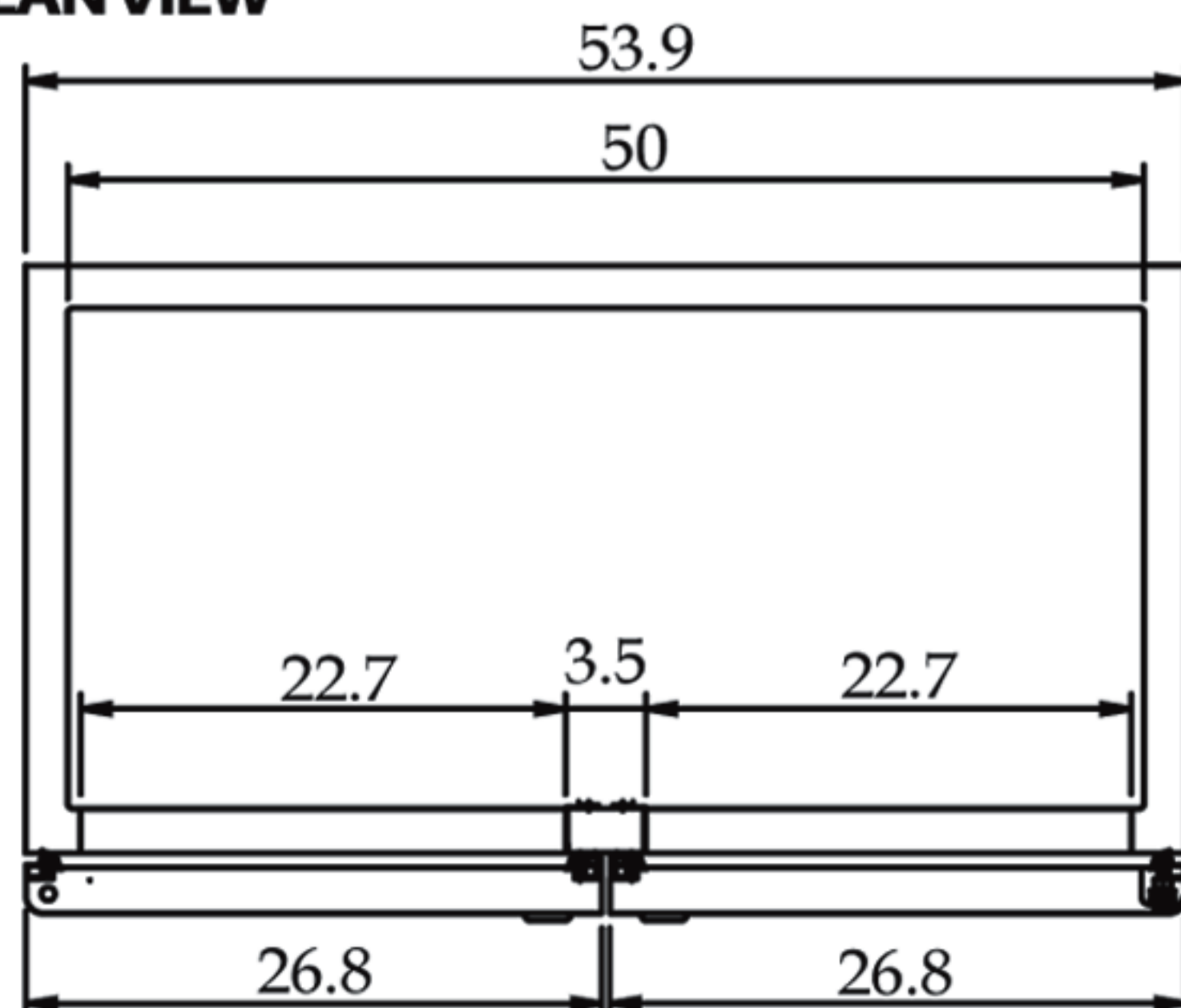
* Other Features

- Solid and sturdy grill design.
- Minimum wattage heater in the cabinet frame to conserve energy and keep your cabinet water free.
- Incandescent interior lighting.
- Foamed with polyurethane, high-density cell insulation. (CFC free)
- Positive seal with self closing doors.
- Automatic evaporator fan motor delay when the door is opened.
- Rounded corner contoured line
- Door locks.
- 4"swivel casters. (standard)

ONE DOOR PLAN VIEW



TWO DOOR PLAN VIEW



SOLID DOOR SIDE VIEW

(unit : inch)